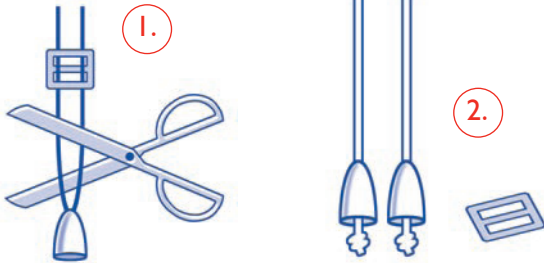


HOW TO RETROFIT OLDER WINDOW COVERINGS

ELIMINATE LOOPED PULL CORDS

(pre-1995 miniblinds and pleated shades)

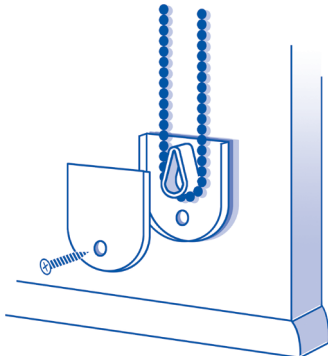
1. Cut the looped pull cord above the tassel, and remove equalizer buckle (if any).
2. Insert cord through tassel and tie cord ends to secure the tassel.



INSTALL TIE-DOWN DEVICES

(pre-1997 vertical blinds and draperies)

1. Insert cord or chain into tie-down device.
2. Attach the tie-down device to the floor or wall so that the cord is fully extended and securely fastened.



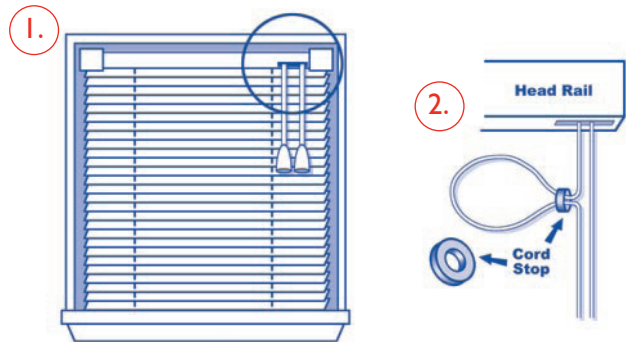
INSTALL CORD STOPS

(all pre-2001 horizontal blinds and corded shades)

1. Lower the blind to its proper length and lock cords into position at head rail.

For each pull cord:

2. Pinch together a portion of the pull cord to create a loop near the head rail, then slide the cord stop over the loop end.



3. Slip the free end of the pull cord through the loop to loosely knot the cord stop onto the pull cord.
4. Tighten the knot to secure the cord stop one to two inches below the head rail to limit movement of inner lift cords.

